

12. PARTS LIST

When ordering replacement parts, please specify the following points;

- 1) Hoist and trolley WLL (rated capacity) and speed type (single or dual).
- 2) Model number stated in name plate.
- 3) Correct part name and part number.
- 4) Lineal length of chain, power supply cable or push button cord, when necessary.
- 5) Emergency stop device.

Geben Sie bitte bei der Bestellung von Ersatzteilen die folgenden Punkte an:

- 1) Nutzlast (WLL) des Flaschenzuges und der Laufkatze angeben. Im weiteren ist der Geschwindigkeitstyp erforderlich (1-Geschwindigkeit und 2-Geschwindigkeiten).
- 2) Die auf dem Typenschild angegebene Modell-Nummer.
- 3) Korrekte Ersatzteilbezeichnung und Ersatzteilnummer.
- 4) Laufmeterlänge für Lastkette, Stromversorgungskabel oder Druckknopf-kabel, falls erforderlich.
- 5) Nothaltvorrichtung (NOT-AUS).

Pour la commande des pièces de rechange, veuillez spécifier les points suivants:

- 1) Puissance nominale du palan et du chariot et vitesse de levage (à une ou deux vitesses).
- 2) Numéro de modèle indiqué sur la plaque d'identification.
- 3) Désignation et numéro exacts de la pièce.
- 4) Longueur linéaire de la chaîne, du câble d'alimentation et du câble de commande, si nécessaire.
- 5) Dispositif d'arrêt d'urgence.

Al colocar el pedido de repuestos, rogamos especificar los siguientes puntos:

- 1) WLL (capacidad nominal) y tipo de velocidad (única o doble) del montacargas y del trole cargador.
- 2) Número de modelo que figura en la placa indicadora.
- 3) Número y nombre correctos de la pieza.
- 4) Longitud lineal de la cadena, del cable de alimentación o del cordón del botón pulsador, de requerirse.
- 5) Dispositivo de parada de emergencia.

Nell'ordinare le parti di ricambio, si prega di specificare sempre i punti seguenti:

- 1) La portata nominale del paranco e del carrello e il tipo di velocità (singola o doppia).
- 2) Il numero di modello indicato sulla targhetta.
- 3) La denominazione del ricambio e il suo codice.
- 4) La lunghezza lineare delle catene, del cavo di alimentazione e del cavo pulsantiera, se necessario.
- 5) Arresto di emergenza.

Ao solicitar peças de reposição, especifique por obséquio os seguintes itens:

- 1) Elevador e roldador WLL (capacidade nominal) e tipo de velocidade (simples ou dupla).
- 2) Número do modelo, que consta da placa de identificação.
- 3) Nome e número correctos da peça.
- 4) Comprimento linear da corrente, do cabo de suprimento de força ou do fio do interruptor por botão de pressão, quando necessários.
- 5) Dispositivo de parada de emergência.

Wanneer u onderdelen bestelt, gelieve de volgende gegevens te verstrekken;

- 1) WLL VAN DE TAKEL EN LOOPKAT (toelaatbaar vermogen) en type van snelheid (enkelvoudig of tweevoudig)
- 2) Modelnummer als aangegeven op naamplaatje.
- 3) Juiste naam en nummer van onderdeel.
- 4) Lineaire lengte van ketting, voedingskabel of bedieningskabel, indien vereist.
- 5) Noodstopinrichting.

Angiv følgende punkter ved bestilling af reservedele:

- 1) Talje og løbekat WLL (tilladelig kapacitet) og hastighedstype (én eller to hastigheder)
- 2) Det på navneskiltet angivne modelnummer.
- 3) Reservedelens korrekte navn og nummer.
- 4) Lineær længde af kæde, strømforsyningskabel eller styretrykkabel efter behov.
- 5) Nødstopanordning

Exploded views and part names of the electric chain hoist are given in the following.

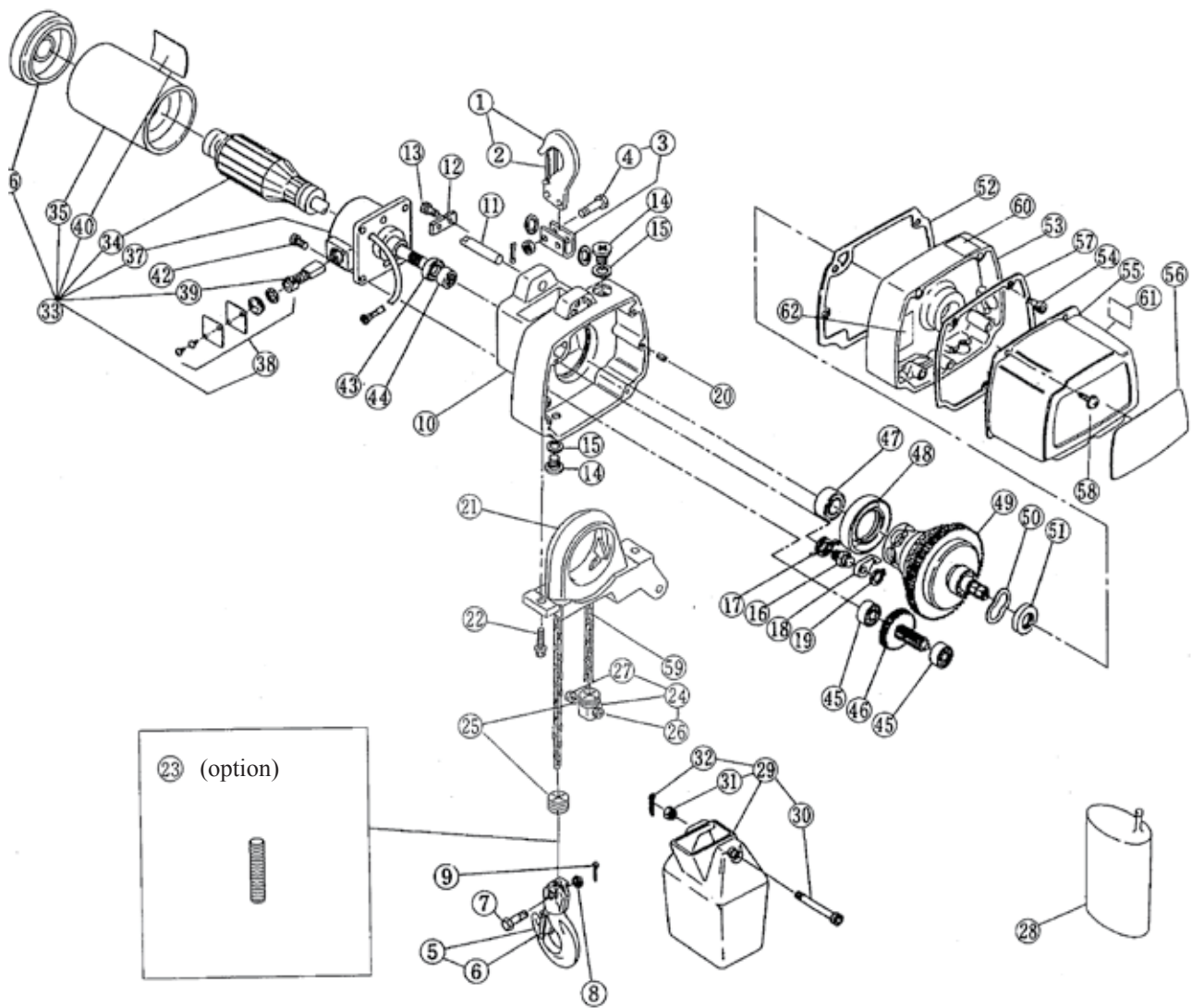


Fig. Nr.	Ersatzteil Nr.	Ersatzteilbezeichnung	Zahl pro Flaschenzug					
Fig. No	No de pièce	Designation de la piece	Nombre par palan					
No de Fig.	No de pieza	Nombre de la pieza	Núemros por montacargas					
Fig. N°	Ricambio N°	Denominazione del ricambio	No. per paraneo					
Fig N°	peca N°	Nome da peça	Número por corrente					
Nr. van afb.	Nr. van onderdeel	Naam van onderdeel	Aantal per takel					
Nr. på fig	Nr. på reservedel	Navn på reservedel	Antal pr. reservedel					
Fig No.	Part No.	Part Name	Nos. Per Hoist	WLL (kg)				
				60	100	180	160	240
1	E2D1001	Top hook assembly	1					
2	E2D1071T	Hook latch assembly T	1					
3	E2D1011	Top yoke complete set	1					
4	E2D5091	Top pin assembly	2					
5	E2D1021	Bottom hook complete set	1					
6	E2D1071B	Hook latch assembly B	1					
7	E2D041	Chain pin	1					
8	E2D049	Slotted nut	1					
9	E2D096	Split pin	1					
10	E3D101	Body	1					
11	E2D117	Top pin E	1					
12	E2D118	Shaft stopper	1		—			
13	E2D072	Socket bolt with spring washer	2		—			
14	E2D111	Oil plug	2					
15	E2D112	Plug packing	2					
16	E2D269	Pawl pin	1					
17	E2D270	Pawl spring	1					
18	E2D268	Pawl	1					
19	E2D271	Snap ring	1					
20	E2D114	Set pin	2					
21	E3D401	Chain guide	1					
22	E2D451	Socket bolt with spring washer	2					
23	E3D421	Chain spring (option)	1					
24	E3D1045	Stopper complete set	1					
25	E3D046	Cushion rubber	2					
26	E2D086	Socket bolt with spring washer	1					
27	E2D087	Lever nut	1					
28	E3D901	Gear oil	1					
29	E2D1831	Chain container (3m lift)	1					
	E2D1835	Chain container (6m lift)	1					
30	E2D854	Socket bolt BP	1					
31	E2D853	U nut	1					
32	E2D852	Split pin	1					

Fig No.	Part No.	Part Name	Nos. Per Hoist	WLL (kg)				
				60	100	180	160	240
33	E2D1501D	Motor complete set for 230V, 50Hz	1					
34	E2D5508D	Armature assembly for 230V, 50Hz	1					
35	E2D5507	Stator assembly	1					
36	E2D509	Motor cover	1					
37	E2D506	Motor flange	1					
38	E2D1510	Lid assembly	2					
39	E2D502	Carbon brush	2					
40	E2DC802	Nameplate M (1)	1					
		Name plate M (2) (3)	1					
42	E2D162	Socket bolt with spring washer	4	Note 1	Note 2	Note 1	Note 3	
	E3D451	Socket bolt with spring washer	4	Note 4	Note 5	Note 4	Note 6	
43	E2D221	Oil seal	1					
44	E2D222	Needle roller bearing	1					
45	E2D231	Ball bearing	2					
46	E2D1223	Gear # 2 assembly	1					
47	E2D238	Ball bearing	1					
48	E2D236	Oil seal	1					
49	E2D5234	Friction clutch assembly (incl. Load sheave)	1					
50	E2D311	Set spring	1					
51	E2D239	Oil seal	1					
52	E2D125	Gear case packing	1					
53	E2D105	Gear case	1					
54	E2D152	Socket bolt with spring washer	4					
55	E2D104	Controller cover	1					
56	E3DC801	Name plate B (single speed)	1					
		Name plate B (dual speed or cylinder)	1					
57	E2D109	Controller cover packing	1					
58	E2D151	Machine screw with spring washer	3					
59	E2D841	Load chain	1					
60	E2D865	Warning seal EO	1					
61	E2D866	Warning seal EE	1					
62	E2D867	Warning seal EF	1					

Note 1: Lot No before that of Note 4

Note 2: Lot No before that of Note 5

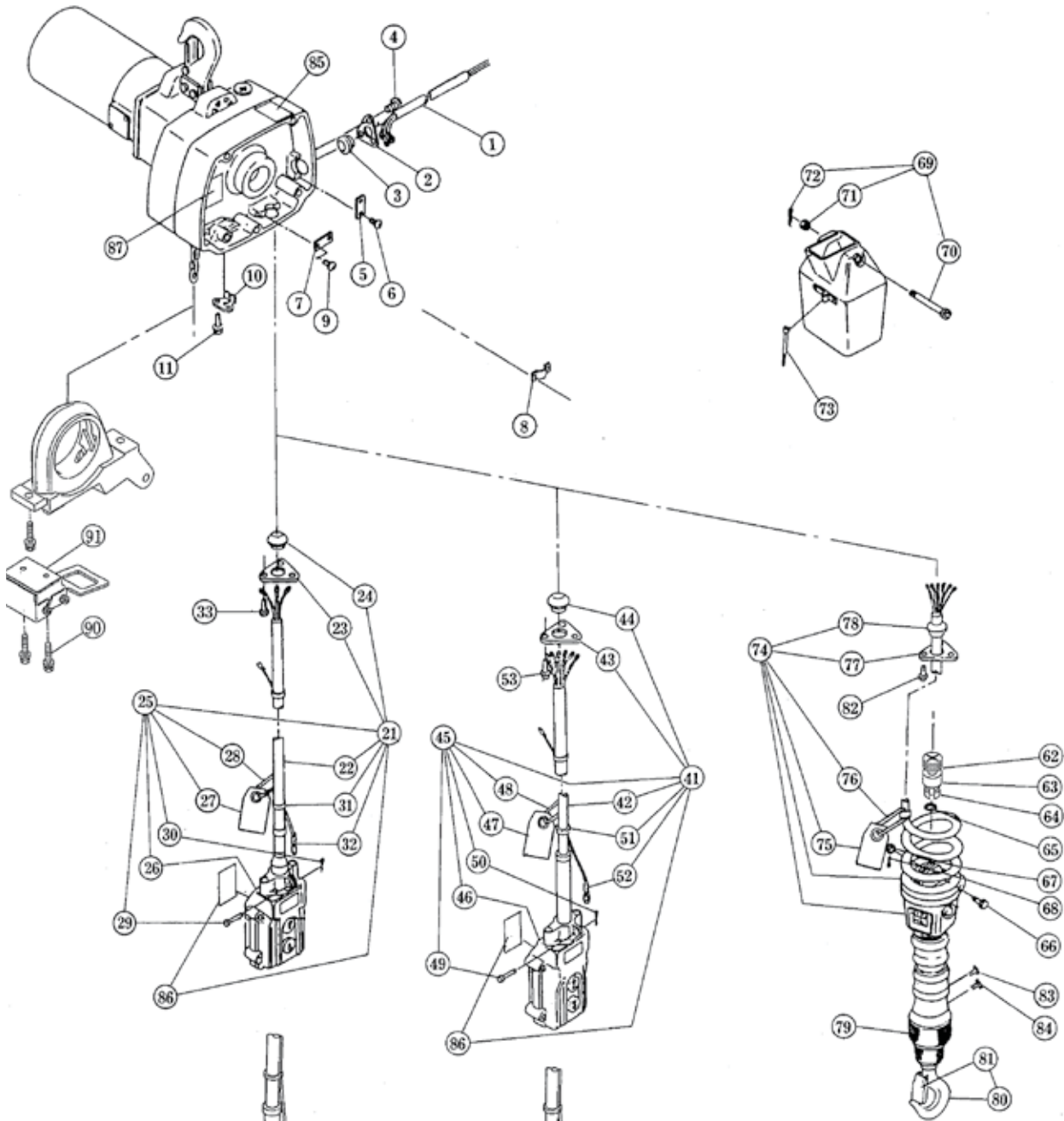
Note 3: Lot No before that of Note 6

Note 4: Lot No on & after 6ASY8681

Note 5: Lot No on & after 6ASY8680

Note 6: Lot No on & after 6ASY8312

When either of '10 Body' or '42 Socket bolt with spring washer' is ordered. please also the counterpart of it.



Single speed type

Emergency stop type

Dual speed type

Emergency stop type

Dual speed cylinder type

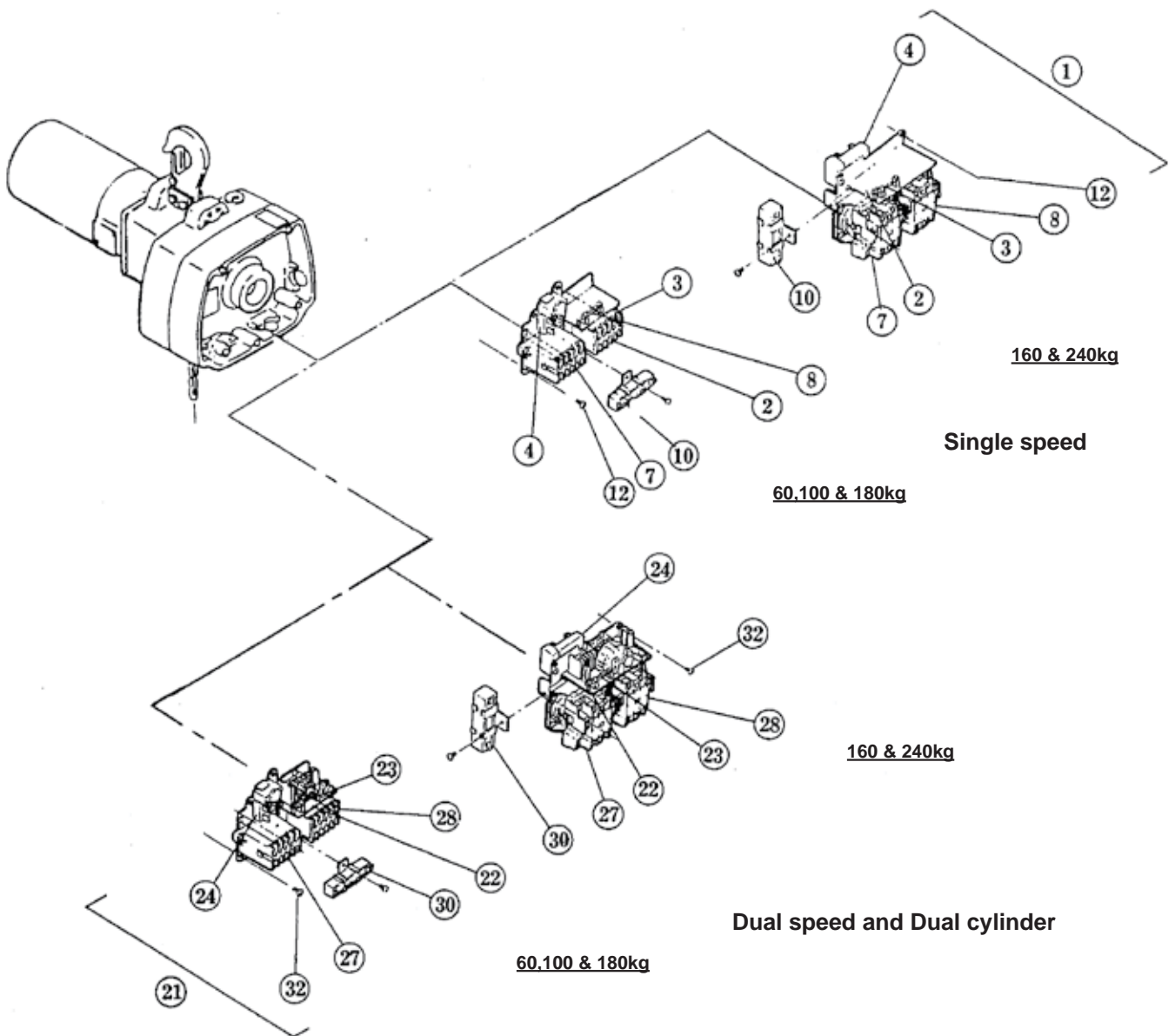
Fig No	Part No.	Part Name			WLL (kg)				
					(1)	Nos Per Hoist	60	100	180
1	E2D521	Power supply cable 3C		1					
2	E2D537	Cable holder C		1					
3	E2D524	Cable packing C8		1					
4	E2D555	Machine screw with spring washer		3					
5	E2D541	Cable clamp E8		1					
6	E2D551	Machine screw with spring washer		2					
7	E2D541	Cable clamp E8 (Single speed)		1					
8	E2D542	Cable clamp E12 (Dual/Cylinder)		1					
9	E2D551	Machine screw with spring washer		2					
10	E2D543	Cable support L		1					
11	ED552	Machine screw with spring washer		2					
92	E3D169	Ferrite core		1					
21	E2DC1607	Push button cord 3C complete set	N	1					
	E2DC1607E	Push button cord 4C complete set	Y	1					
22	E2D607	Push button cord 3C	N	1					
	E2DC607E	Push button cord 4C	Y	1					
23	E2D537	Cable holder C		1					
24	E2D524	•Cable packing C8•	N	1					
	E2DC526	Cable packing C9	Y	1					
25	E2DC2615	Push button switch S assembly	N	1					
	E2DC2615E	Push button switch S assembly	Y	1					
26	E2D1615	Push button switch S	N	1					
	E2DC1615E	Push button switch S	Y	1					
27	E2DC868	Warning tag CE		1					
28	E2D045	Chain stopper link		1					
29	—	Cord chain pin		1					
30	—	Split pin		1					
31	E2D640	Lock belt		3					
32	—	Fixing sleeve		1					
33	E2D555	Machine screw with spring washer		3					
41	E2DC1607	Push button cord 6C complete set	N	1					
	E2DC1607E	Push button cord 6C complete set	Y	1					
42	E2D607	Push button cord 6C	N	1					
	E2DC607E	Push button cord 6C	Y	1					
43	E2D537	Cable holder C		1					
44	E2D525	Cable packing C12		1					
45	E2DC2615	Push button switch D assembly	N	1					
	E2DC2615E	Push button switch D assembly	Y	1					
46	E2D1615	Push button switch D	N	1					
	E2DC1615E	Push button switch D	Y	1					
47	E2DC868	Warning tag CE		1					
48	E2D045	Chain stopper link		1					
49	—	Cord chain pin		1					
50	—	Split pin		1					
51	E2D640	Lock belt		3					
52	—	Fixing sleeve		1					
53	E2D555	Machine screw with spring washer		3					

Note: (1) N: Part for standard (without emergency stop device) type.
Y: Part for emergency stop type.

Fig No.	Part No.	Part Name	Nos. Per Hoist		WLL (kg)				
			(1)		60	100	180	160	240
62	E3D046	Cushion rubber		2					
63	E2D044	Stopper collar		1					
64	E2D045	Stopper		2					
65	--	Snap ring		1					
66	E2D041	Chain pin		1					
67	E2D049	Slotted nut		1					
68	E2D096	Split pin		1					
69	E2D1831	Chain container (3m lift for cylinder type)		1					
70	E2D854	Socket bolt BP		1					
71	E2D853	U nut		1					
72	E2D852	Split pin		1					
73	E2D861	Clamp		1					
74	E2DC1607	Push button cord 7C complete set	N	1					
	E2DC1607E	Push button cord 8C complete set	Y	1					
75	E2DC868	Warning tag CE		1					
76	E2D045	Chain stopper link		1					
77	E2D537	Cable holder C		1					
78	E2D525	Cable packing C12		1					
79	E2D5041	Detachable fitting E		1					
80	E2D1002	Detachable hook assembly		1					
81	E2D1071	Hook latch assembly		1					
82	E2D555	Machine screw with spring washer		3					
83	--	Flat head screw		1					
84	--	Flat head screw		1					
85	E2D865	Warning seal EO		1					
86	E2D866	Warning seal EE		1					
87	E2D867	Warning seal EF		1					
90	E3DI411	Limit switch assembly		1					
	E3DI411-C	Limit switch assembly (2)		1					
91	E3D422	Socket bolt with spring washer		2					

Note: (1) N: Part for standard (without emergency stop device) type.
Y : Part for emergency stop type.

(2) For 'Control panel complete set' equipped with reverse-operation protection board.



160 & 240kg

Single speed

60.100 & 180kg

160 & 240kg

Dual speed and Dual cylinder

60.100 & 180kg

Fig No.	Part No.	Part Name	Nos. Per Hoist	WLL (kg)				
				60	100	180	160	240
1	E3DC1601	Control panel complete set	1					
	E3DC1601-C	Control panel complete set (2)	1					
2	E2D616	Converter assembly	1					
3	E2D664	Fuse set	※					
4	E2D622	Silicone stack assembly	1					
5	E2D667	Machine screw with spring washer	2	For converter			—————	
6	E2D663	Machine screw with spring washer	1	For silicone stack				
7	E2DC1617	Electromagnetic contactor assembly	1					
8	E2DC1620	Electromagnetic contactor assembly	1					
9	E2D661	Machine screw with spring washer	5	For contactor and resistor			—————	
		Machine screw with spring washer	2		—————		For converter	
10	E2D619	Resistor	1					
11	E2D665	Machine screw with spring washer	9		—————			For contactor and resistor
33	E3D371	Abrupt reverse operation protection board	1					
34	E3D170	Noise filter	1					
12	E2DC741	Socket bolt with spring washer	3					—————
			4		—————			
21	E3DC1601	Control panel complete set	1					
	E3DC1601-C	Control panel complete set (2)	1					
22	E2D616	Converter assembly	1					
23	E2D664	Fuse set	※					
24	E2D622	Silicone stack assembly	1					
25	E2D667	Machine screw with spring washer	2	For converter			—————	
26	E2D663	Machine screw with spring washer	1	For silicone stack				
27	E2DC1617	Electromagnetic contactor assembly	1					
28	E2DC1620	Electromagnetic contactor assembly	1					
29	E2D661	Machine screw with spring washer	5	For contactor and resistor			—————	
		Machine screw with spring washer	2		—————		For converter	
30	E2D619	Resistor	1					
31	E2D665	Machine screw with spring washer	9		—————			For contactor and resistor
33	E3D371	Abrupt reverse operation protection board	1					
34	E3D170	Noise filter	1					
32	E2DC741	Socket bolt with spring washer	3					—————
			4		—————			

Note (1) ※ Contents of fuse set are tabulated in page 27.

(2) Equipped with reverse-operation protection board.

Exploded views and part names of the trolley are shown below.

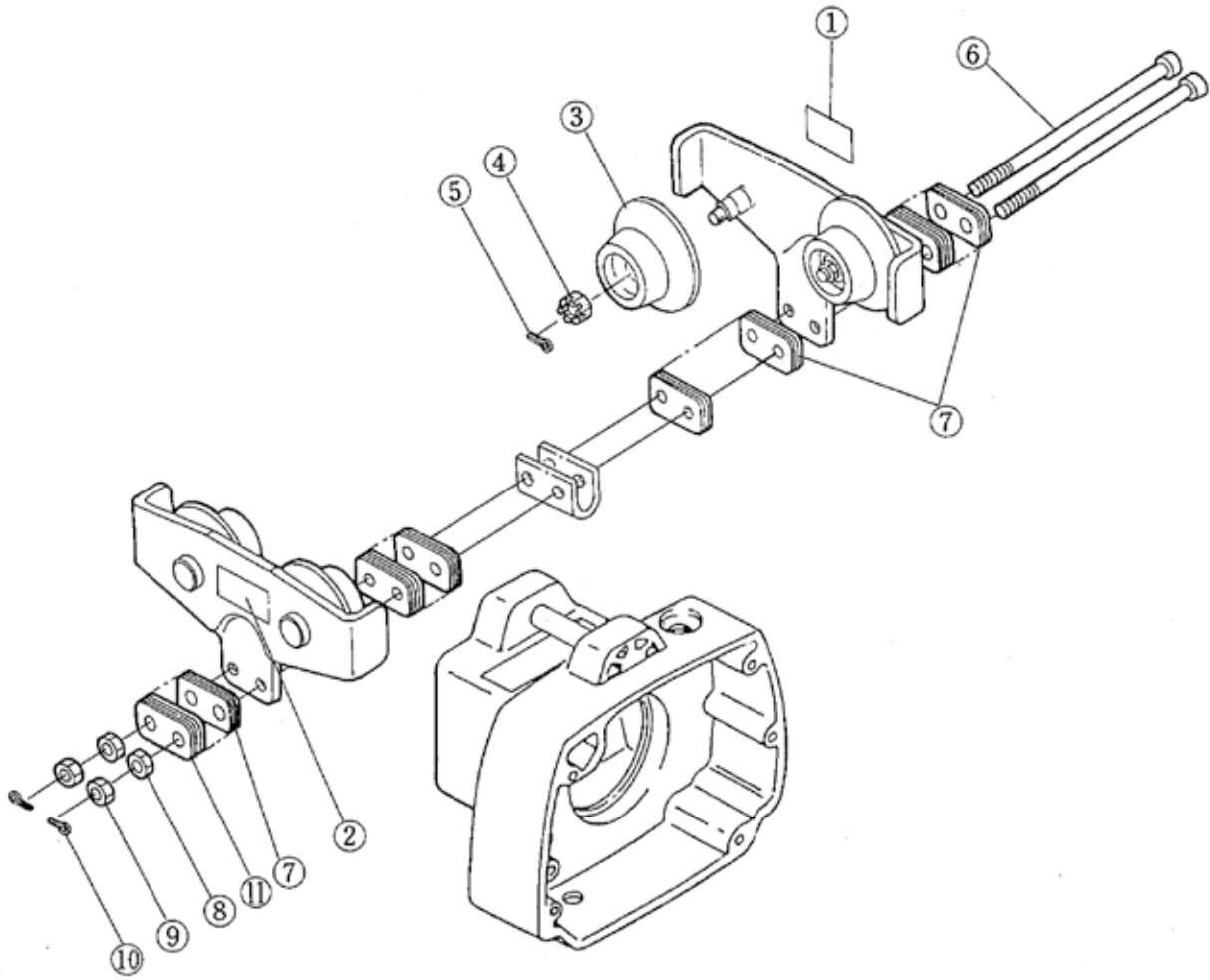


Fig. No.	Part No.	Part Name	Nos. Per Trolley	WLL (kg)
				250kg
1	TIH 801	Name plate C	1	
2	TIH 800	Name plate B	1	
3	T1H5102	Track wheel assembly	4	
4	TIH 152	Slotted nut	4	
5	TIH 153	Split pin	4	
6	TIH 115	Socket bolt	2	
7	TIH 116	Adjusting spacer	34	
8	TIH 157	Nut	2	
9	TIH 155	U nut	2	
10	TIH 156	Split pin	2	
11	T1H117	Adjusting spacer B	2	

PARTS LIST (480kg)

Exploded views and part names of the electric chain hoist are given in the following.

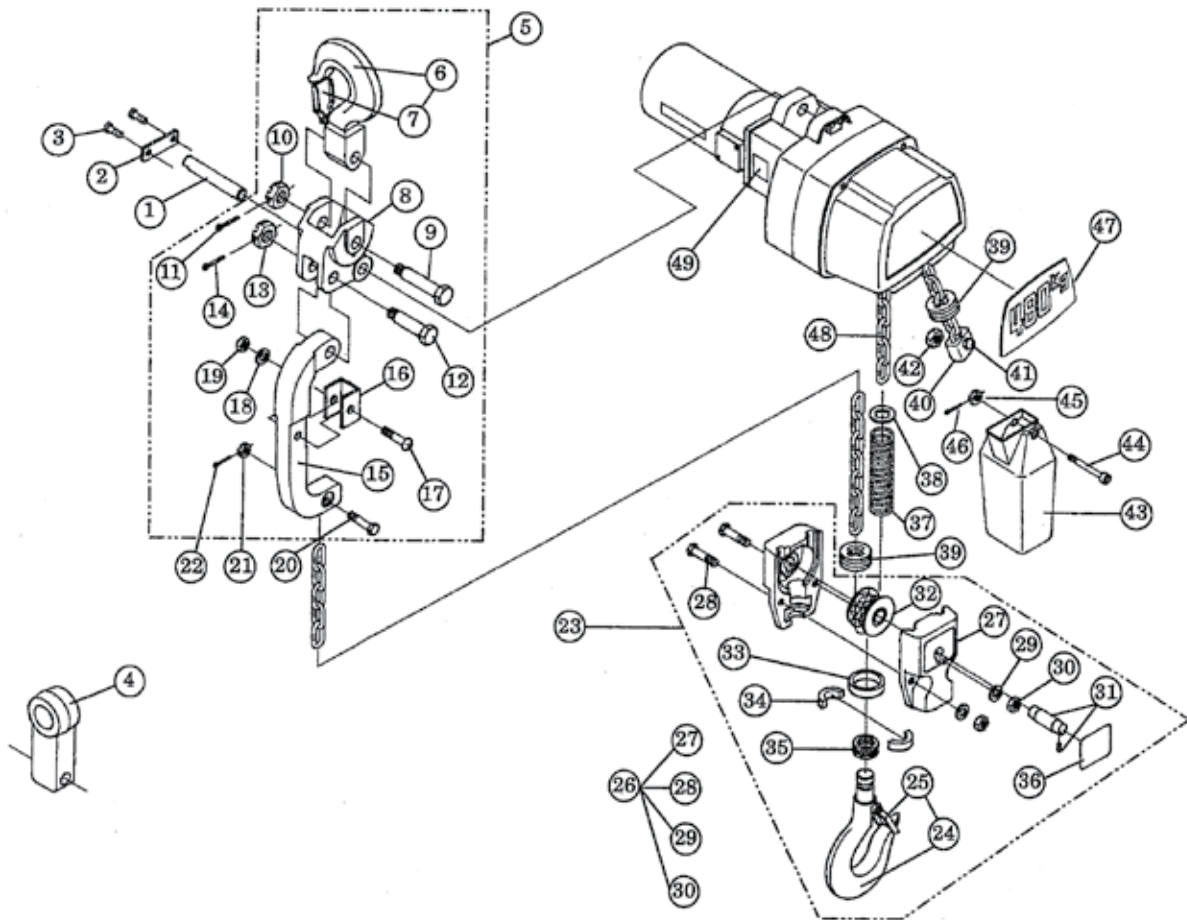


Fig. No.	Part No.	Part Name	Nos. Per Hoist	Supplement
1	E2D-117	Top pin E	1	
2	E2D-118	Shaft stopper	1	
3	E3D-155	Socket bolt with spring washer	2	
4	T7PB-004	Suspender PB	1	PT Connect
	T7GB-004	Suspender GB	1	GT Connect
5	E3D-1470	Connection yoke complete set	1	
6	E3D-460	Top hook assembly	1	
7	E3D-461	Hook latch assembly	1	
8	E3D-470	Connection yoke	1	
9	E3D-471	Yoke bolt	1	
10	E3D-472	Slotted nut	1	
11	E3D-473	Split pin	1	
12	E3D-581	Connection bolt	1	
13	E3D-582	Slotted nut	1	

Fig. No.	Part No.	Part Name	Nos. Per Hoist	Supplement
14	E3D-583	Split pin	1	
15	E3D-580	Joint yoke	1	
16	E3D-592	Protection pad	2	
17	E3D-593	Truss head machine screw	1	
18	E3D-594	Washer	1	
19	E3D-595	U nut	1	
20	E1D-041	Chain pin	1	
21	E1D-049	Slotted nut	1	
22	E1D-096	Split pin	1	
23	E3D-1480	Bottom hook complete set	1	
24	E3D-480	Bottom hook assembly	1	
25	E3D-491	Hook latch assembly	1	
26	E3D-2485	Bottom hook assembly	1	
27	E3D-485	Bottom yoke	2	
28	E3D-496	Bolt	2	
29	E3D-498	Spring lock washer	2	
30	E3D-497	Nut	2	
31	E3D-6489	Bottom shaft assembly	1	
32	E3D-6487	Idle sheave assembly	1	
33	E3D-482	Thrust collar A	1	
34	E3D-483	Hook stopper	2	
35	E3D-481	Thrust bearing	1	
36	E3D-597	Name plate C	1	
37	E3D-590	Chain spring	1	
38	E3D-591	Washer	1	
39	E3D-046	Cushion rubber	2	
40	E3D-1045	Stoper complete set	1	
41	E2D-086	Socket bolt with spring washer	1	
42	E2D-087	Lever nut	1	
43	E2D-1835	Chain container (6)	1	Lift : 3m
	E2D-1833	Chain container (15)	1	Lift : 3.1~7.5m
	E2D-1834	Chain container (30)	1	Lift : 7.6~15m
44	E2D-854	Socket bolt BP	1	
45	E2D-853	U nut	1	
46	E2D-852	Split pin	1	
47	E2D-801	Name plate B	1	
48	E2D-841	Load chain	1	
49	E3D-599	Warning seal E (Finger protection)	1	



KITO CORP.

Tokyo Opera City Tower 16F,
3-20-2 Nishi-Shinjuku, Shinjuku-ku,
Tokyo 163-1416, Japan
Tel. : 03-5371-7341
Fax. : 03-5371-7349
E-mail: overseas@kito.co.jp
URL : <http://www.kito.co.jp>