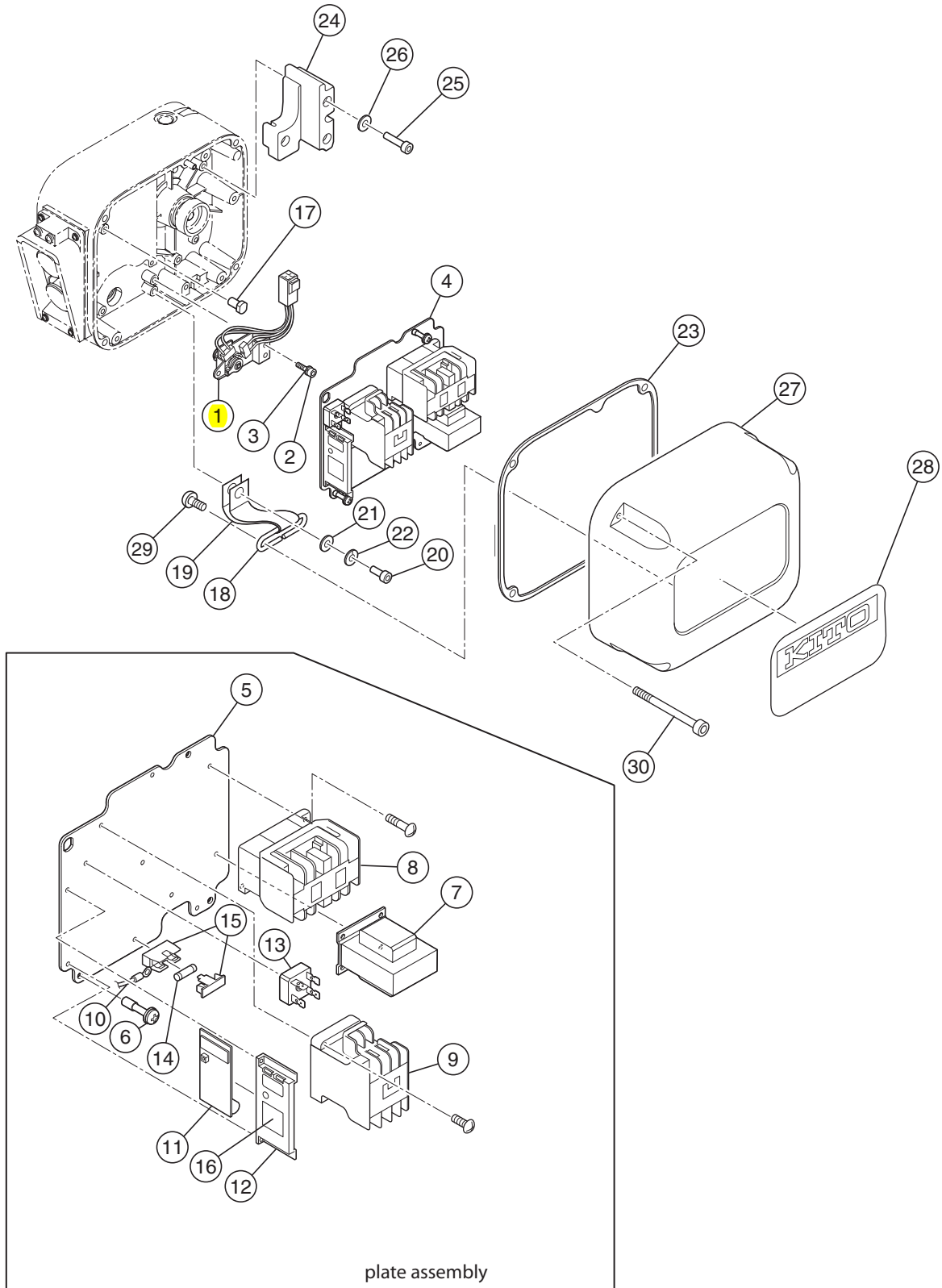


Common Parts - Electric Components

ER2-075S/ER2-100L/ER2-100S/ER2-150S/ER2-200S



ER2-075S/ER2-100L/ER2-100S/ER2-150S/ER2-200S

Figure No.	Part Number	Part Name	Quantity per hoist					ER2-F					Remark
			ER2-075S	ER2-100L	ER2-100S	ER2-150S	ER2-200S	ER2-075S	ER2-100L	ER2-100S	ER2-150S	ER2-200S	
1	1060	Limit switch complete set	1		2			ER2CH1060	←	←	←	←	
2	353	Socket bolt	3		6			J1BE1-0601212	←	←	←	←	For limit switch
3	354	Spring lock washer	3		6			J1WS011-20060	←	←	←	←	For limit switch
4	1441	Plate assembly	1		2								
5	441	Plate	1		2			ER2ES9441	←	←	←	←	
6	445	Plate screw	3		6			ER1BS9445	←	←	←	←	
7	577	Transformer	1		2								
8	578	Electromagnetic contactor	1		2								For forward/reverse switching
9	580	Electromagnetic contactor	1		2								For emergency stop
10	583	Lead wire	1		2								
11	582	CH meter	1		2								
12	597	CH meter support	1		2			ECP99BKBA	←	←	←	←	
13	598	Rectifier	1		2			ECP94DIAA	←	←	←	←	
14	602	Fuse	1		2			ECP91FZ02	←	←	←	←	
15	603	Fuse holder	1		2			ECP92FZAA	←	←	←	←	
16	838	Name plate CH	1		2			ECP99CHAA					
17	449	Fulcrum pin	1		2			ER2CS9449	←	←	←	←	Plate rotation center pin
18	456	Cover suspender	1		2			ER2CS9456	←	←	←	←	
19	457	Cover belt	1		2			ER2CS9457	←	←	←	←	
20	458	Socket bolt	1		2			J1BE1-0601616	←	←	←	←	For cover belt (attached to gear case)
21	459	Plain washer	1		2			ER1BS9436	←	←	←	←	For cover belt (attached to gear case)
22	460	Spring lock washer	1		2			J1WS011-10060	←	←	←	←	For cover belt (attached to gear case)
23	117	Packing C	1		2			ER2FS9117	←	←	←	←	For controller cover
24	109	Balancer	1		2			ER2FS9109	←	←	←	←	
25	162	Socket bolt	3		6			J1BE1-0802525	←	←	←	←	For balancer
26	162	Spring lock washer	3		6			J1WS011-20080	←	←	←	←	For balancer
27	104	Controller cover	1		2			ER2FS9104	←	←	←	←	
28	800	Name plate B	1		2				←	←	←	←	
29	114	Pan head machine screw	2		4			J1AK2-5001212	←	←	←	←	For cover suspender (attached to controller cover)
30	153	Machine screw socket bolt	4		8			J1BG1-0604024	←	←	←	←	For controller cover