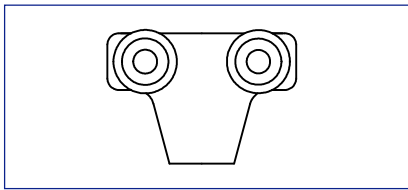


# Load values

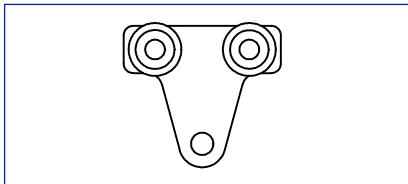
## Trolleys – standard



**Double-paired trolley (single load)**  
for special on-site constructions

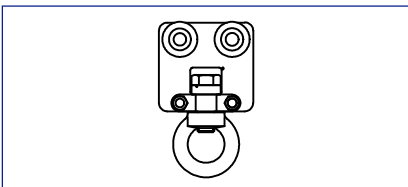
max. capacity of trolley

1310 S	1410 S	1510 S	1610 S	1710 S
40 kg	80 kg	200 kg	400 kg	800 kg



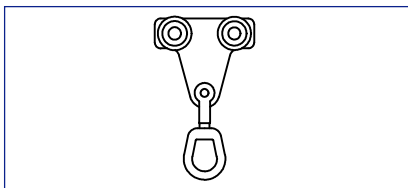
**Double-paired trolleys (single load)**  
with load hook - accessory  
with vortex eye - accessory

1310	1410	1510	1610	1710
40 kg	80 kg	200 kg	400 kg	800 kg



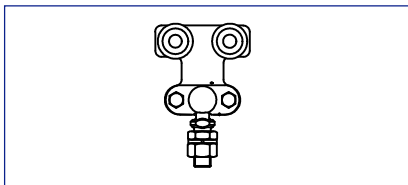
**Double-paired trolleys (single load)**

324 Ri	424 Ri	524 Ri	624 Ri	724 Ri
40 kg	80 kg	200 kg	400 kg	800 kg



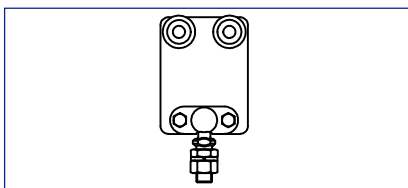
**Double-paired trolleys (single load)**  
pivoted vortex eye

1310 Ri	1410 Ri	1510 Ri	1610 Ri	1710 Ri
40 kg	80 kg	200 kg	400 kg	800 kg



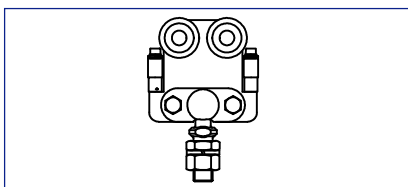
**Double-paired trolleys (single load and traverse type)**

1314	1414	1514	1614	1714
40 kg	80 kg	200 kg	400 kg	800 kg



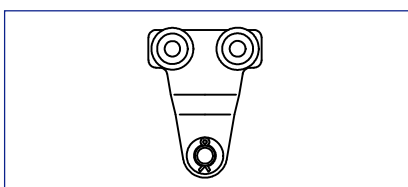
**Double-paired trolleys (single load and traverse type)**

1314 T	1414 T	1514 T	1614 T	1714 T
40 kg	80 kg	200 kg	400 kg	800 kg



**Double-paired trolleys (single load and traverse type)**

1314 T/F	1414 T/F	1514 T/F	1614 T/F	-
40 kg	80 kg	200 kg	400 kg	-



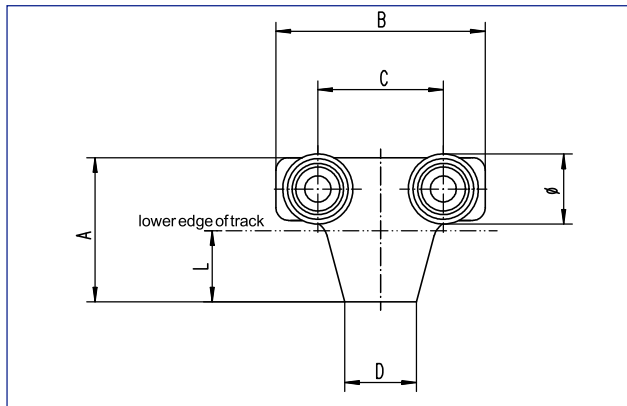
**Double-paired trolleys (single load and traverse type)**  
not curve going

-	1418	1518	1618	1718
-	125 kg	250 kg	500 kg	1000 kg

Rollers suitable for max. ambient temperature 100° C – standard  
Rollers suitable for max. ambient temperature 250° C – "design K"

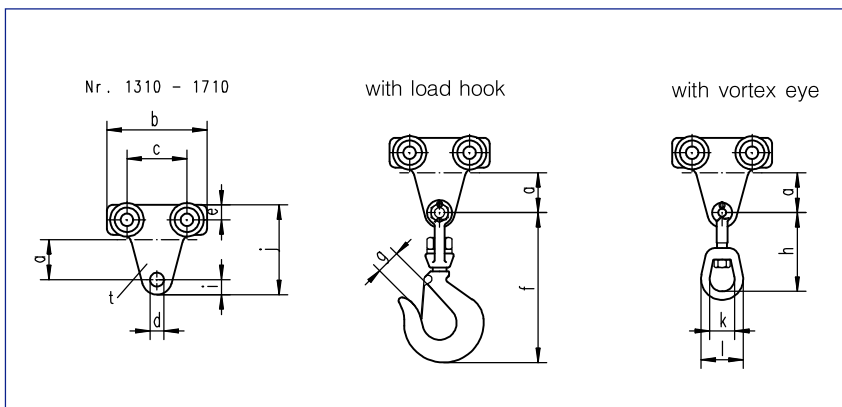
# Technical data sheets

## Load trolleys - standard



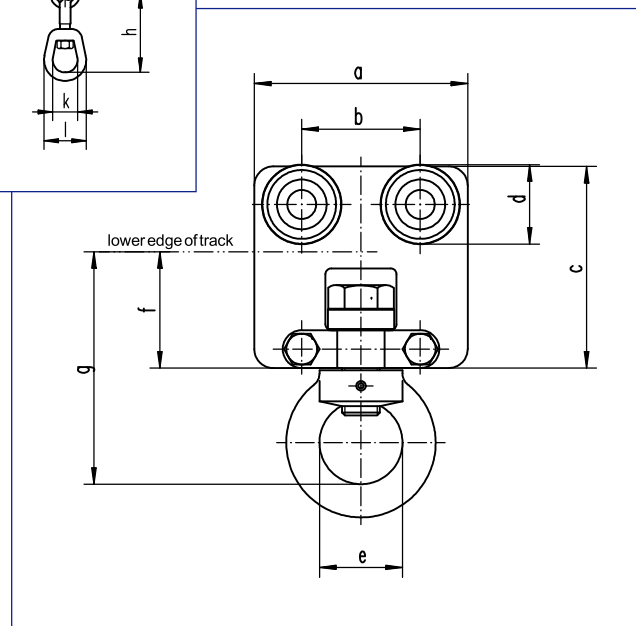
Trolley 1310 S - 1710 S

Profile	300	400	500	600	700
A	51	69	80	100	140
B	80	100	120	145	210
C	50	60	70	80	105
D	28,5	34,5	45	80	80
L	25	34	32	40,5	49
Ø	27,9	34	48	60	89



Double-paired trolleys 1310 - 1710

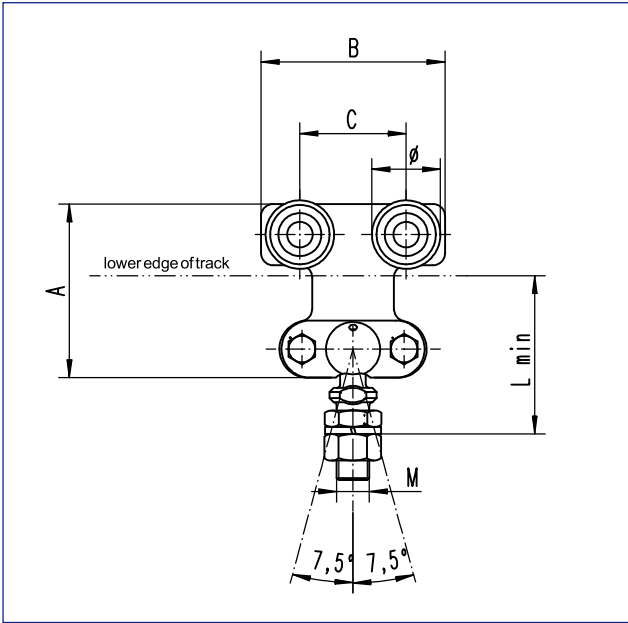
HELM no.	1310	1410	1510	1610	1710
max. load	40	80	200	400	800
a	31	40	42	47	74
b	80	100	120	145	210
c	50	60	70	80	105
d	Ø10	Ø14	Ø18	Ø22	Ø26
e	10	15	20	25	40
f	-	125	125	125	152
g	-	24	24	24	28
h	79	79	79	98	126
i	12	15	20	24	35
j	70	90	110	130	200
k	25	25	25	31	37
t	8	8	10	12	15
l	42	42	42	51	64
load hook	-	LA-24/1	LA-24/1	LA-24/1	LA-24/2
vortex eye	LA-34/2	LA-34/2	LA-34/2	LA-34/3	LA-34/4



Trolley 324 Ri - 724 Ri

Profile	300	400	500	600	700
a	68	90	110	150	200
b	37	50	56	80	100
c	72	85	110	140	200
ød	27,9	34	48	60	89
øe	30	35	40	50	60
f	44	49	59	78,5	109
g	85	98	114	150	194

Rollers suitable for max. ambient temperature 100° C – standard  
 Rollers suitable for max. ambient temperature 250° C – “design K”



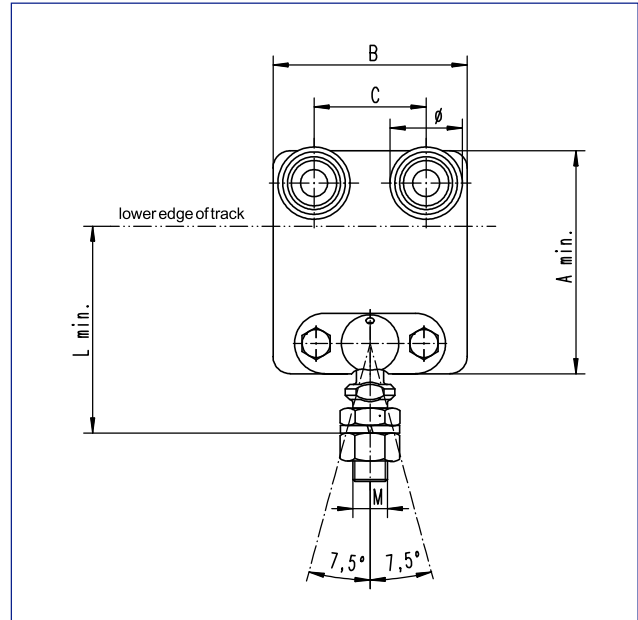
Trolley 1314 - 1714

Profile	300	400	500	600	700
A	70	85	115	145	180
B	70	90	110	140	200
C	38	52	56	75	105
L min.	66	78	98	126	136
M	M12	M16	M20	M24	M30
Ø	27.9	34	48	60	89

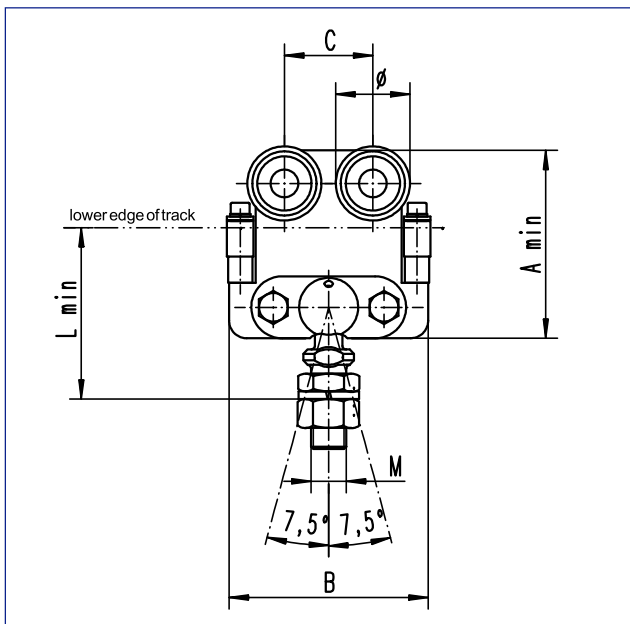
Trolley 1314 T - 1614 T  
norm. temp. -20° bis 100°C

- 1614 T/K  
high temp. -30° bis 250°C

Profile		B	C	A min.	L min.	M	Ø
400	1414 T	90	53	120	113	M16	34
500	1514 T	100	56	165	148	M20	48
600	1614 T	120	75	200	181	M24	60



\* measure A is available in any length!



Trolley 1314 T/F - 1614 T/F

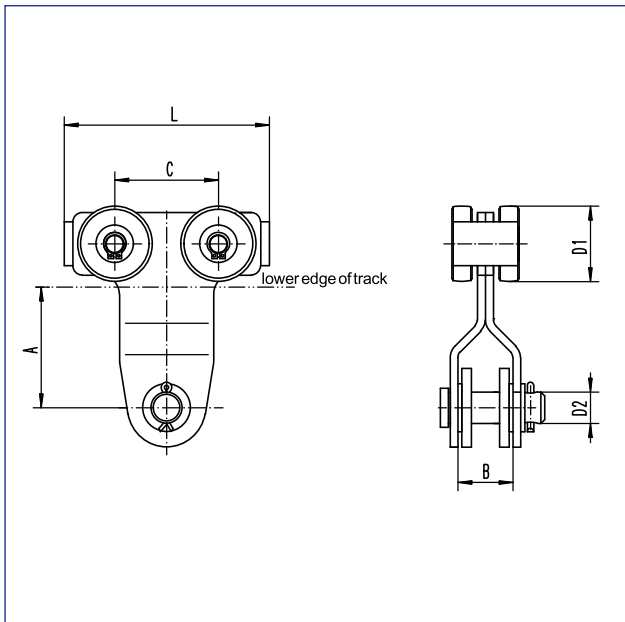
norm. temp. -20° bis max. 100°C

- 1614 T/F/K

high temp. -30° bis max. 250°C

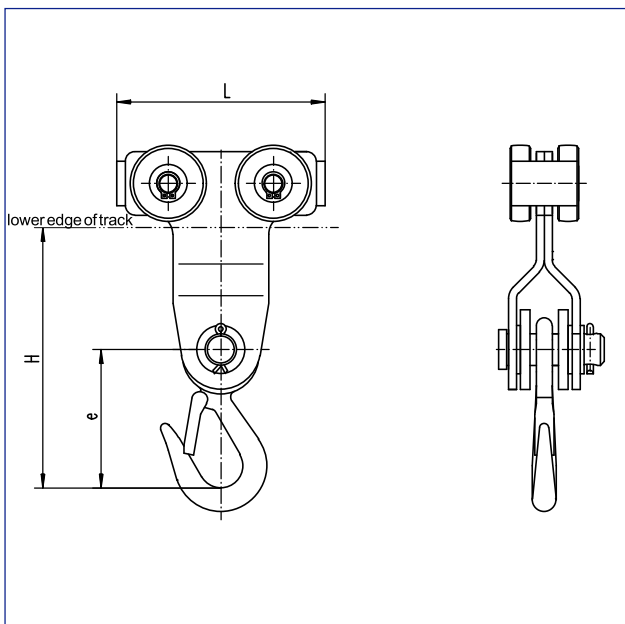
Profile	300	400	500	600
A min.	70	85	120	145
A norm.	70	120	165	200
A spec.			220	
C	32	40	50	62
B	70	90	100	140
L min.	66	78	103	126
M	M12	M16	M20	M24
Ø	27.9	34	48	60

\* measure A is available in any length!



Trolley 1418 - 1718 without load hook

Profile	400	500	600	700
L	100	130	150	214
C	52	66	75	105
A	65	76	91,5	117
Ø D1	34	48	60	89
Ø D2	16	20	22	26
B	30	35	35	45



Trolley 1418 - 1718

Profile	400	500	600	700
L	100	130	150	214
e	73	87	82	92
H	138	163	174	209
load hook	LA-23/1-340	LA-23/2-450	0 5 180 00 05-500-	0 5 180 00 10-1000-
max. load (kg)	125	250	500	1000

Rollers suitable for max. ambient temperature 100° C – standard  
Rollers suitable for max. ambient temperature 250° C – "design K"