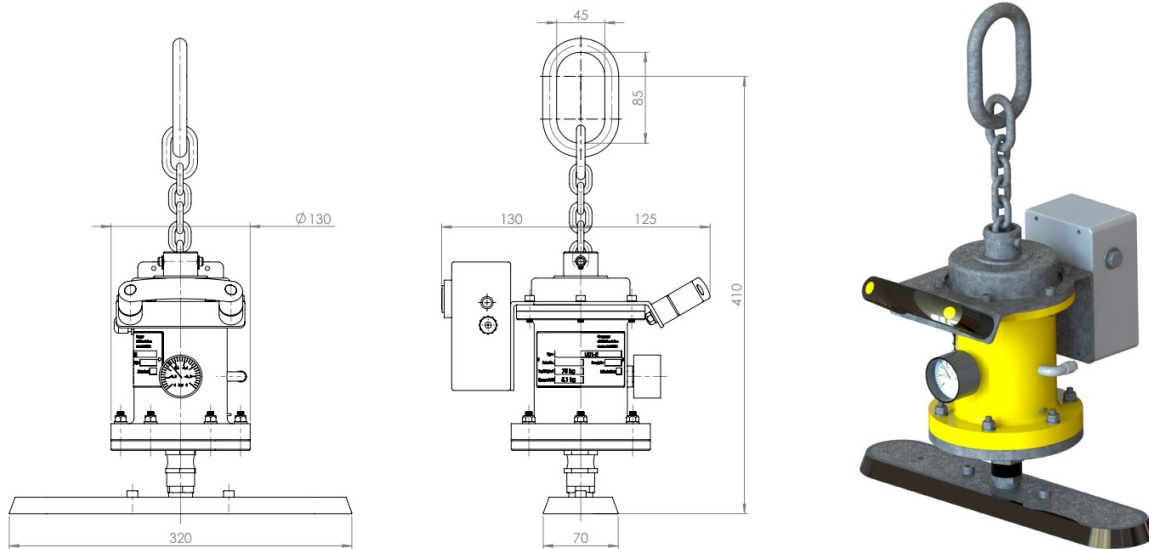


## VacuLifter® Green Line U01-1

The type series Green Line U01 was previously only available as U01-E (with a suction cup  $\varnothing$  210 mm). From now on, the unit is also available as U01-1. A larger round suction cup ( $\varnothing$  250 mm) or an rectangular/oval suction cup (70 x 320 mm) is available. Note: We offer also other suction pad sizes if required.

U01-1 with suction pad V60310 (70 x 320 mm), WLL 50 kg



U01-1 with suction pad U125 ( $\varnothing$  250 mm), WLL 100 kg

